



IS:15558:2005  
  
CM/L-9100142305



**Winter - Summer Function**



**Copper Heat Exchanger**



**Pressure Release Valve**



**3 - Control Knobs**



# SWITCH TO GAS FOR SOLID SAVINGS



Homes and establishments all over the world have discovered the most economical way to heat water. Gas water heaters. Did you know that heating water with a Venus Gas Heater costs much less than doing it with an electric water heater? You save as much as 66% on water heating. And since gas gives you higher temperatures faster, you also get hot water, Instantly.

### Convenience :



**Winter / Summer function:**The User can use the Gas Water heater in accordance with the changing climatic conditions be it Summer or Winter and get cold or hot water respectively.

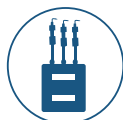


**3-Control Knobs:**The User can select the number of Burners according to the room temperature to get the desired Water heater temperature.

### Performance :



**Copper Heat Exchanger:** The heavy 1.2Kg copper heat exchanger will transfer the thermal energy to the water which flows around/top of the chamber effectively which results in faster heating.



**Auto Pulse Ignition Device:** After opening the hot water outlet tap the water flows out immediately, the PID will ignite the burner automatically sensing the water flow.



**2 years guarantee.**

### Safety :



**Solenoid Gas Valve :** The Solenoid valve provided to control the flow of gas on/off automatically which gives a safety for the water heater.  
(In **VGB612** - 2nos and **VGBS610** - 1no Provided)



**Pressure Release Valve:** When the pressure of the inlet water supply is too high the PRV automatically relieves excess pressure.



**20 Minute Timer Protection:** The water heater will automatically cut-off the gas and power after a 20mins continuous operation which prevents the build-up of carbon monoxide.



**Auto flame-out protection:** The water heater will automatically cut-off the gas to ensure that gas does not leak when it flames out accidentally during the use.

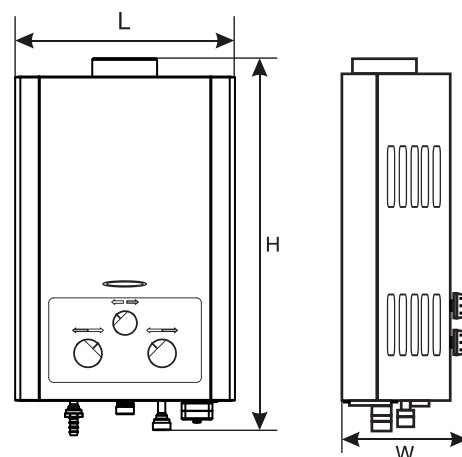


**Overheating Protection:** The water heater will automatically cut-off the gas and stop working when the temperature of the water flowing out exceeds 80°C.

### Product Specifications\*

Model No.		VGB612	VGBS610
Rated Heat Output		12kW	10kW
Hot water Flow rate maximum		6L/min	5.5L/min
Battery		1.5V x 2nos.	
Gas type and pressure		LPG - 3000 Pa	
Suitable water pressure		0.02 - 0.008 MPa	0.08 - 0.008 MPa
Ignition		Automatic Electrical Pulse Ignition	
Connection Pipe Specification	Gas Inlet	1/2 Inch BSP	
	Cold Water Inlet	1/2 Inch BSP	
	Hot Water Inlet	1/2 Inch BSP	
Safety devices		<ul style="list-style-type: none"> <li>• Electro Magnetic valve</li> <li>• Pressure release Valve</li> <li>• 20 minites Cut off Timer protection</li> <li>• Over Heat Protection</li> <li>• Auto flame-out protection</li> <li>• Auto Gas-off protection</li> </ul>	
Dimensions (L x W x H) mm		300 x 130 x 440 mm	300 x 135 x 500 mm

\*Specifications subject to change without prior notice.



**VENUS**<sup>TM</sup>  
WATER HEATERS

### VENUS HOME APPLIANCES (P) LTD.

**CENTRAL MARKETING OFFICE:** 4/993, Kamaraj Street, Rajiv Gandhi Salai (OMR), Kottivakkam, Perungudi Post, Chennai - 600 096. Ph: 4340 1515  
**Customer Care:** 08144666999 | **Whatsapp:** 09884064999 | **Email:** customercare@venushomeappliances.com | **Website:** www.venushomeappliances.com