

# Mercury

ENAMEL

## THE ALL-WEATHER SOLAR WATER HEATER FOR ALL TIME HOT WATER

Venus presents Mercury, an energy efficient solar water heater with Glasslined Enamel Tank which is anti-corrosive and provides durable performance even in areas with hard water.



Porcelain  
Enamel  
Glass Lined  
Tank

7  
YEARS  
GUARANTEE  
ON INNER TANK



• Maximum performance • Zero maintenance • Compact shape and size



**VENUS**<sup>TM</sup>  
SOLAR WATER HEATERS

## About Venus

Venus Home appliances have been a pioneer for the past 55 years in the field of water heaters across the Nation. With a wide range of water heaters, Venus strives to suit the various requirements, usage, capacity and living conditions of their customers.

Mercury Solar water heater is yet another innovation from the house of Venus.

The Enamel tank is designed to protect the heater from rust & corrosion for high performance & durability. Solar energy is a great resource for a brighter tomorrow. This renewable source energy is a real saviour of energy, money and the environment.

### FEATURES



Porcelain Enamel Glass Lined Tank: Manufactured in a modern, automated plant using European Technology. Protects the tank from rust and corrosion.



Long life corrosion proof Pre coated outer cladding



Powder coated MS stand - sturdy and rust resistant



7 Years Guarantee: On Porcelain Enamel Glass Lined Tank



5cm Thick PUF insulation for minimum heat loss



Backup electric heating element for cold rainy days (optional)



Vacuum Tube Technology with triple layer coating for maximum absorption of solar radiation

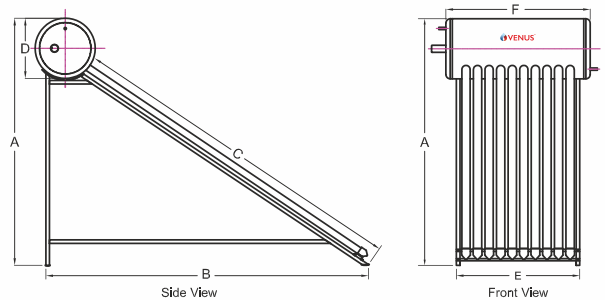
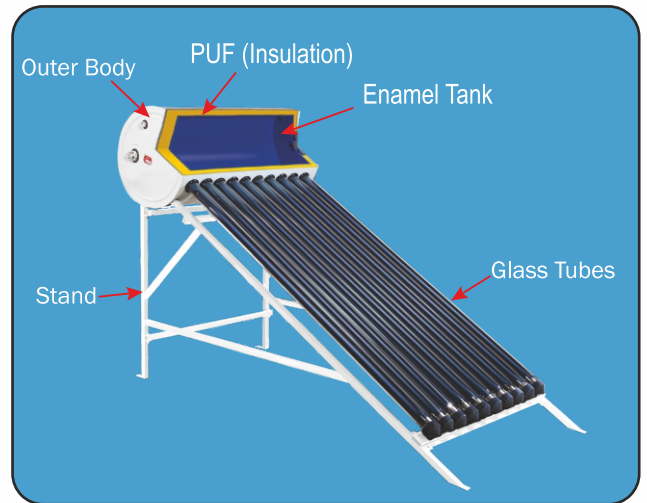
### Product Specifications

Description	MYEN100	MYEN200
Capacity	100 Liters per day	200 Liters per day
No. of Vacuum Tubes	10 Nos	20 Nos
Safety Devices (optional)	Thermostat	Thermostat
Pipe Connection	3/4"	3/4"
Backup Electric Heating (optional)	2 kw heating element	2 kw heating element
PUF Insulation Thickness	5cm	5cm
Stand Angle	27°	27°
Daily Usage	upto 4 persons	upto 8 persons
Maximum No. of Outlets	2	4
Guarantee*	5 Years	5 Years

#### Dimension (in mm)

Model	A	B	C	D	E	F
100 Ltrs	1350	1425	1950	480	810	1000
200 Ltrs	1350	1425	1950	480	1610	1800

\* Refer "Terms & Conditions" in User Manual.



**VENUS HOME APPLIANCES (P) LTD.**

**REG. OFFICE & FACTORY:** Tuticorin - 628 103.

**CENTRAL MARKETING OFFICE:** 4/993, Kamaraj Street,  
Rajiv Gandhi Salai (OMR), Kottivakkam,  
Perungudi Post, Chennai - 600 096. Ph: 43401515.

**Customer Care :** 08144666999 | **Whatsapp:** 09884064999 | **Email:** customercare@venushomeappliances.com  
**Website :** www.solar-waterheaters.co.in | www.venushomeappliances.com