





STYLISH, EFFICIENT AND SAFE

Safety, Efficiency and technology combined in one water heater



 3cm thick PUF insulation	 Heat Retention Technology
--	---

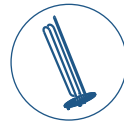
55 YEARS	IS:2082  CM/L-0312625	 SERVICE IN 24 HOURS
--------------------	--	---



Introducing CELO the most versatile water heater Safety, efficiency and technology combined in one water heater.



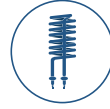
Porcelain Enamel Glass Lined Tank: Manufactured in a modern, automated plant using European Technology. Protects the tank from rust and corrosion.



Glasslined Incoloy 800 element: Withstands temperatures up to 1000°C. Long lasting, even in hard water. Reduces scale formation. Prevents premature element failure (except 6 litres).



3cm thick PUF insulation: 3cm thick (PUF) insulation keeps the water hot for a much longer time and reduces energy consumption.



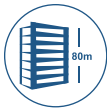
Tubular Element : High quality copper heating element for long life and performance (for 6 litres only).



Heat Retention Technology : No Thermal Bridge between the Tank and the external Housing, there by enabling 16% lower Thermal Losses.



Triple Security : Multi-function Safety Valve, Capillary Thermostat & Thermal cutout.



8 bar pressure: Suitable for pressure pumps and multi-storey buildings.



Temperature Display : The display will real - time display the current temperature.



Sacrificial Magnesium Anode: A special device to enhance the corrosion protection of the tank by means of "Cathodic action".



7 years guarantee on inner tank

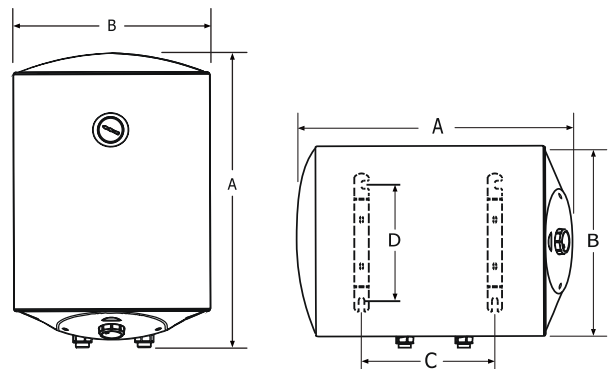
Product Specifications*

Model	Wattage	Capacity in Litres	Time to Raise Temp by 35°C	Dimensions (in mm)			
				A	B	C	D
			Vertical				
006CV	3000	6	6min	295	321	-	201
010CV	2000	10	13min	385	321	-	201
015CV	2000	15	20min	475	321	-	201
025CV	2000	25	33min	530	371	-	201
035CV	2000	35	45min	667	371	-	201
050CV	2000	50	64min	875	371	474	201
			Horizontal				
015CH	2000	15	20min	475	321	160	201
025CH	2000	25	33min	655	321	317	201
050CH	2000	50	64min	875	371	474	201

Rated Pressure: 8 bars (8kg/cm² ; max, 80m water head)

*Specifications subject to change without prior notice.

**Copper Heating Element 2 Years Guarantee for 6CV model.



	7 Years	Inner Tank
	3 Years	Heating Element
	2 Years	Product



VENUS HOME APPLIANCES (P) LTD.

CENTRAL MARKETING OFFICE: 4/993, Kamaraj Street, Rajiv Gandhi Salai (OMR), Kottivakkam, Perungudi Post, Chennai - 600 096. Ph: 4340 1515

Customer Care: 08144666999 | **Whatsapp:** 09884064999 | **Email:** customercare@venushomeappliances.com | **Website:** www.venushomeappliances.com