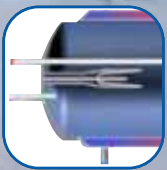


Halo

JACKETED FLAT PLATE SOLAR WATER HEATER



Jacketed Inner Tank



100%
Copper Fins

7 YEARS

GUARANTEE
ON INNER TANK



PORCELAIN
ENAMEL
GLASS LINED
TANK

55
YEARS

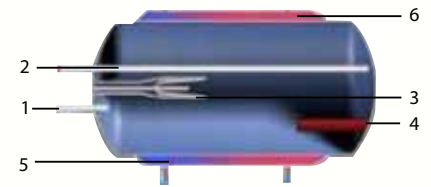


 **VENUS**TM
SOLAR WATER HEATERS

VENUS SOLAR WATER HEATER

Venus Jacketed flat plate solar water heaters harness the power of the sun and use it to the maximum to give you hot water when you need it. They come with a Super Efficient Collector with 100% copper fins and a corrosion resistant Porcelain enamel tank that offers hard water protection.

Venus Jacketed solar water heater has a heat conducting fluid (Mineral water / Glycol) circulating around the inner tank - thereby heating the water indirectly without the ground water coming in contact with the collector. This indirect heating System is most suited for hard water areas as the jacket ensures that no scaling is formed in the collector ensuring trouble - free Performance.



Indirect Heating Technology

1. Inlet 2. Outlet 3. Heating Element
4. Anode 5. Cold Water 6. Hot Water

FEATURES



Porcelain Enamel Glass Lined Tank: Manufactured in a modern, automated plant using European Technology. Protects the tank from rust and corrosion



50mm PUF insulation for minimum heat loss



Flat plate collector with 100% copper fins coated in black for maximum absorption of solar radiation and effective heat transfer



Backup electric heating element for cold / rainy days (optional)



Aluminium alloy stand - sturdy and rust resistant



Compatible with 7 bar pressure rating



Powder coated Outer body : Long life corrosion proof Pre coated outer cladding

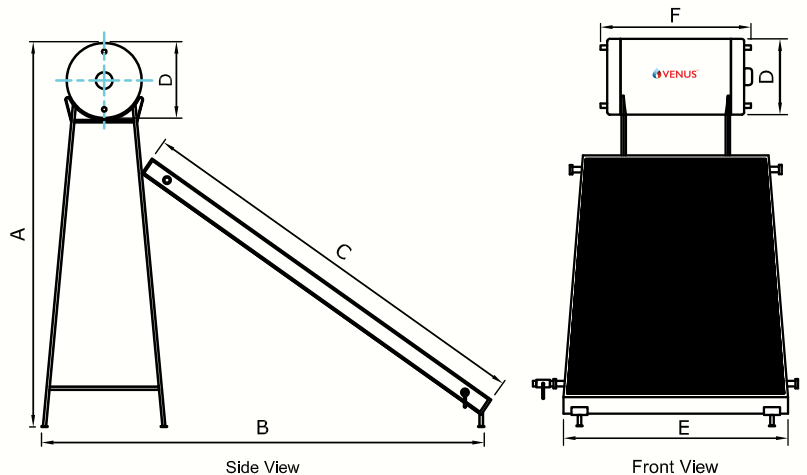


7 Years Guarantee on Inner Tank

Product Specification

Description	HAJK200					
Model Name	HALO JACKET					
Inner Tank Material	Jacket enamel tank					
Inner Tank Thickness	1.2mm					
Jacket Thickness	1.2mm					
Outer Tank Material	Colored steel sheet					
Outer Tank Thickness	0.4 mm					
Outer Tank Diameter	460mm					
Frame	Aluminium alloy					
Frame Thickness	2mm					
Cover Glass Material	Textured tempered glass					
Cover Glass Thickness	4mm					
Tank Capacity	200 L					
PUF Insulation	50mm					
Working Pressure	7 bar					
Dimensions (in mm)						
Model	A	B	C	D	E	F
200 Ltrs	1800	2300	2000	600	1150	1100

Specifications subject to change without prior notice



GUARANTEE

*Inner Tank 7 Years

*Product 5 Years

* Refer "Terms & Conditions" in User Manual.



VENUS HOME APPLIANCES (P) LTD.

CENTRAL MARKETING OFFICE: 4/993, Kamaraj Street, Rajiv Gandhi Salai (OMR), Kottivakkam, Perungudi Post, Chennai - 600 096. Ph: 43401515.

Customer Care : 08144666999 | **Whatsapp:** 09884064999 | **Email:** customercare@venushomeappliances.com **Website:** www.solar-waterheaters.co.in | www.venushomeappliances.com