



Built to Last

Presenting Magma, energy saving
water heater from Venus



100% reliable, Magma water heaters have sleek exteriors that only complement their performance. With a unique porcelain enamel tank, Magma water heaters not only provide excellent heating, but also last really long and utilise much less energy than ordinary water heaters. For a unique bathing experience, look no further than Magma.



Porcelain Enamel Glass Lined Tank: Manufactured in a modern, automated plant using European Technology. Protects the tank from rust and corrosion.



Glasslined Double Ceramic Heating Elements: Shock-proof, hard water proof, long-lasting (except 6 litres).



WITH PORCELAIN ENAMEL TECHNOLOGY



PUF insulation: 3cm extra thick (PUF) insulation keeps the water hot for a much longer time and reduces energy consumption.



Flexi Mount: Flexible mounting options (Horizontal Model) Wall/Floor mounting. Left/right side opening options available - ideal for modern apartments.



Rust Proof Lids: Made from PP in a contemporary design.



8 bars pressure: Suitable for pressure pumps and multi-storey buildings.



Capillary Thermostat : Externally adjustable Capillary Thermostat enables the user to easily set a temperature setting of his choice.

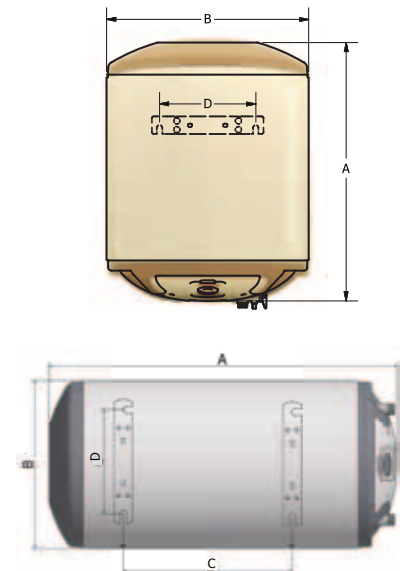


Capillary Thermal cutout: Backup safety device. Cuts off power at 90°C. Prevents overheating (vertical models).

Product Specifications

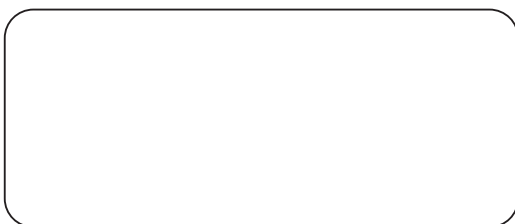
MODEL	WATTAGE	CAPACITY IN LITRES	TIME TO RAISE TEMP BY 35°C	DIMENSIONS (in mm)			
				A	B	C	D
VERTICAL							
006GV	3000	6	6min	305	322	-	201
010GV	2000	10	13min	395	322	-	201
015GV	2000	15	20min	505	322	-	201
025GV	2000	25	33min	545	372	-	201
035GV	2000	35	45min	680	372	-	201
050GV	2000	50	64min	590	462	200	201
070GV	3000	70	60min	765	462	367	201
100GV	3000	100	85min	1005	462	609	201
150GV	3000	150	122min	1455	462	1009	201
HORIZONTAL							
010GH	3000	10	10min	395	322	145	201
015GH	2000	15	20min	505	322	160	201
025GH	2000	25	33min	665	322	317	201
035GH	2000	35	45min	680	372	277	201
050GH	2000	50	64min	590	462	200	201
070GH	3000	70	60min	765	462	367	201
100GH	3000	100	85min	1005	462	609	201
150GH	3000	150	122min	1455	462	1009	201

Rated Pressure: 8 Bars(kg/cm² ; max, 80m water head)



	5 Years	Inner Tank
	2 Years	Heating Element
	2 Years	Product

*Specifications subject to change without prior notice.
 **15 & 25 Ltr only 5 star rating other models are 4 star rating.
 ***6 & 150 Ltr are don't have ISI mark.



VENUS HOME APPLIANCES (P) LTD.

CENTRAL MARKETING OFFICE: 4/993, Kamaraj Street, Rajiv Gandhi Salai (OMR), Kottivakkam, Perungudi Post, Chennai - 600 096. Ph: 4340 1515

Customer Care : 08144666999, 1860-425-5555 | Email: customercare@venushomeappliances.com | Website: www.venushomeappliances.com